

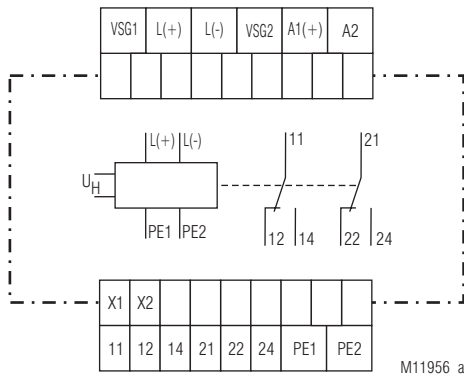
### Your Advantages

- Suitable for DC charging stations for electric vehicles acc. to IEC/EN 61851-23:2014
- Insulation monitoring according to IEC/EN 61557-8
- Connection of an external coupling device RL 5898 for voltages up to AC 400 V / DC 500 V or RP 5898 for voltages up to AC 690 V / DC 1000 V
- Extended operating temperature range of - 40 ... + 70 °C
- Very fast reaction time ≤ 1 s
- Optimised insulation resistance monitoring also during mains voltage variation
- Self-test every full operating hours
- Preventive fire and system protection
- Detection of symmetric and asymmetric insulation faults
- Universal application in non-earthed AC, DC, AC/DC networks
- Easy adjustment of response values and setting parameter via rotational switch
- Suitable for large leakage capacitances up to 5 µF
- Monitoring also with voltage-free mains
- Measuring circuit L1(+)/L2(-) with broken wire detection (can be switched off)
- Protective conductor PE1/PE2 with broken wire detection (can't be switched off)

### Product Description

The insulation monitor RN 5897/020 of the VARIMETER IMD family provides best and up to date insulation monitoring of modern IT systems in an optimum and state of the art way fulfilling the relevant standards. The device can be used in the most flexible way for AC, DC and AC/DC systems. Mains areas of applications are non-earthed DC charging stations for electric vehicles with mains voltages up to DC 1000 V, that need an extended temperature range. The connection to the monitored voltage system is done via one of the coupling units. The setting of the parameters and the switching values is done by simple and operator friendly rotational switches on front of the device. The operating status is indicated user friendly via a multicolour LED. With a sealable transparent cover the device is protectet against manipulation.

### Circuit Diagram



### Features

- 2 separate adjustable response thresholds (using e.g. for pre-alarm and Alarm)
- Setting range of 1st response value (Pre-alarm): 20 kΩ ... 500 kΩ
- Setting range of 2nd response value (alarm): 1 kΩ ... 100 kΩ
- 1 changeover contacts each for insulation failures-Pre-alarm and -alarm
- Energized or de-energized on trip can be selected for indicator relay
- With multicolour status LED to indicate the state of operation.
- Automatic and manual device self-test
- Alarm storage selectable
- Protection against manipulation by sealable transparent cover
- External control input for combined test- / reset-button with additional Stop of the measuring function
- 3 wide voltage input for auxiliary voltage
- Additional coupling device is necessary
- Width 52.5 mm

### Approvals and Markings



1) RN 5897 only

### Connection Terminals

Terminal designation	Signal description
A1(+), A2	Auxiliary voltage AC or DC
L(+), L(-), VSG1, VSG2	Connection for coupling device
PE1, PE2	Connection for protective conductor
X1, X2	Control input (combined external Test- and Reset-input with additional Stop of the measuring function)
11, 12, 13	Alarm signal relay K1(1 changeover contact)
21, 22, 23	Prewarning signal relay K2 (1 changeover contact)

### Applications

- Insulation monitoring of:
- Non-earthed AC, DC, AC/DC networks
  - DC charging stations for electric vehicles
  - UPS systems
  - Networks with frequency inverters
  - Battery networks
  - Networks with direct current drives
  - Hybrid and battery-powered vehicles
  - Mobile generator sets

## Function

The device is supplied with DC auxiliary voltage via terminals A1(+) / A2. Switching on the auxiliary voltage (Power-On) is followed by an internal self-test for 12 s (see „Device test functions“). The test process is visible with the status LED. After this, measurement of the insulation resistance in the measuring circuits begins and the status LED changes into green.

### Measuring circuit

#### (Insulation measurement between terminals L1(+) / L2(-) on the coupling device and PE1/PE2 on the insulation monitor)

The insulation monitor RN 5897/320 can only be used with a coupling device. Max. mains voltage and connection diagrams have to be observed! To connect the insulation Monitor RN5897/320 to a coupling device the terminals with identical designations are connected (VSG1, VSG2, L(+), L(-)). The voltage system to be monitored is connected to L1(+) und L2(-) of the coupling device.

A broken wire detection that can be disabled provides a fault signal if both terminals L1(+) and L2(-) are not linked by the connected network. Broken wire between coupling device and insulation monitor cannot be directly detected but the the measured value of the insulation resistance when one or more connections are interrupted, is much lower then the real insulation value which will cause a tripping of the alarm relays.

The type of the voltage system or the connection method (AC, DC, 3NAC) has to be correctly adjusted on the rotational switch "UN"

Also the terminals PE1 and PE2 have to be connected with 2 separate wires to the protective earth. An interruption of a wire also causes a fault signal (see section "Behavior on faulty connection"). The monitoring of the PE connection cannot be de-activated.

To measure the insulation resistance an active measuring voltage with changing polarity is connected between L1(+) and L2(-) and PE1/PE2.

The duration of the positive and negative measuring phase depends on the actual leakage capacity of the monitored system and in DC systems also on the level and duration of possible voltage variations. This allows a correct and fast measurement in different network conditions.

At the end of a measuring cycle the actual insulation resistance is produced and indicated. The relays for alarm K1 and pre-alarm K2 switch when dropping under the adjusted response values. In addition the status LED changes to orange color on pre-alarm or to red color on alarm.

### Manual reset of fault message

With the 2-section rotational switch "UN", manual or auto reset of the alarm can be selected. If manual reset is activated the insulation fault signals of the measuring circuit are stored when dropping under the adjusted response values also if the insulation resistance goes back to healthy state. Pressing the „Reset“ button on the front side for 2 s, the alarm signal is reset if the actual insulation resistance is in healthy state.

### Indicator relay for insulation fault signal

The function of the relays K1 (contacts 11-12-14 for alarm) and K2 (contacts 21-22-24) can be altered between energised on trip (relay n.o.) or de-energised on trip (relay n.c.). When energised on trip the relays energize when the value drops below the setting, when de-energised on trip, the relays de-energize when the value drops below the setting.

### Disable the measuring function

Using the external control input X1/X2 the measuring function of the RN 5897/320 can be disabled. This could be used when several isolated voltage systems with individual insulation monitors need to be coupled. The measuring voltage is set to -90V (negative measuring phase) and the evaluation of the measurement is stopped. The status of the output relays is frozen and not changed any more. If the measurement is disabled the status LED flashes continuously orange. Please be aware, only the evaluation of the measurement is stopped and the measuring pulse is interrupted! A high resistive disconnection to PE does not take place (see internal resistance).

## Function

### Broken wire detection

As described in section "Measuring circuit", the measuring circuits L1(+)/L2(-) and the protective conductors PE1/PE2 are constantly monitored for wire breaks – not only at Power-On or a manual or occasional automatic test. The response time of PE1/PE2 monitoring is only a few seconds. The response time of monitoring of L1(+)/L2(-) can be up to approx. 2 min. Broken wire detection between L1(+) and L2(-) is performed via coupled alternating voltage. This alternating voltage is short-circuited if the terminals are connected to the connected mains at low-resistance. The device detects that the mains to be monitored is properly connected. Since this broken wire detection is carried out with alternating voltage, large capacitances should be avoided between L1(+) and L2(-), since the capacitive reactance of these capacitances also short-circuits this alternating voltage. The device would no longer detect a connection fault on L1(+)/L2(-).

Especially parallel lines should be prevented over larger distances. If larger capacitances between L1(+)/L2(-) cannot be avoided or if the coupled alternating voltage interferes with the system, the broken wire detection can be de-activated on the 2-section rotational switch for alarm "RA". It can be altered between continuously disabled (Broken Wire Detect OFF), or continuously enabled (Broken Wire Detect ON) for 10 seconds every 2 minutes. If the broken wire detection on L1(+)/L2(-) is de-activated no AC voltage is injected. The broken wire detection on PE1/PE2 cannot be de-activated.

### Device test functions

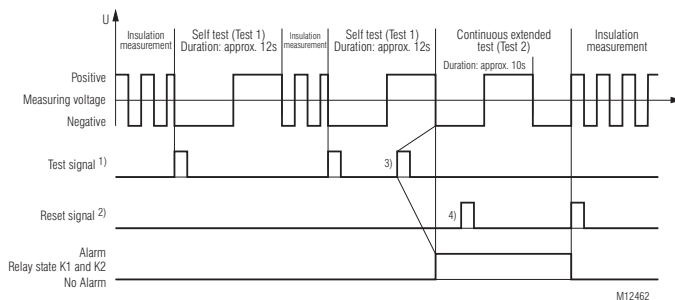
Principally, 2 different test functions are implemented: The "self-test" and the "expanded test":

The self-test of the device is performed automatically after Power-On and every full operating hours. It can also be triggered manually at any time by pressing the "Test" button at the device front for 2 s.

With the self-test, contrary to the expanded test, the status of the Indicator relays is not affected; the sequence is as follows:

The self test is indicated by the status LED with flash code 1 in orange colour. First the negative measuring pules is activated for about 5 s and the internal measuring circuit is checked on failures. Then the positive measuring pulse is activated for about 5 s and more internal tests are performed. If no failures are detected, the normal measurement continuous. The extended test is started, when during or at the end of above procedure (12 s) the button "Test" is pressed again for 2 s.

The procedure is the same as above (2 measuring phases with 5 sec each) but in addition the output relays K1 and K2 go into alarm state. The Status LED shows flash code 2 in orange colour. The test phases will be continuously repeated. The extended test can be finished after the first complete sequence (approx. 10 sec) by pressing the "reset" button for 2 seconds. The device starts the insulation monitoring again.



- 1) Test signal: Button Test > 2 s oder X1/X2 > 1,5 s und < 10 s
- 2) Reset signal: Button Reset > 2 s oder X1/X2 < 1,5 s
- 3) To initiate the extended test (Test 2) the test signal must be operated within the self test (Test 1) again..
- 4) The reset signal has here no function, as the first complete sequence of extended test (Test 2) is not finished.

## Function

### Behaviour with internal device faults

If internal device faults were detected during the test function, the status LED flashes permanently red. The indicator relays K1 and K2 switch to the alarm state.

### Behavior on faulty connection

When detecting broken wire on terminals L1(+)/L2(-), the measurement is disabled. The reaction time could be up to 2 min. The monitoring relays K1 and K2 go in alarm state, the status LED shows flash code 1 in red colour. After removing the interruption the fault is automatically reset (max. reaction time up to 2 min) and the measurement of the insulation resistance is continued. Stored alarm values remain stored. An interruption of the protective earth connections PE1/PE2 causes the same reaction as interrupting the measuring circuit, only the status LED shows flash code 2 in red colour.

### External control input

To terminals X1/X2 an external combined Test-/Reset button can be connected. If the terminals X1/X2 are bridged for approx. > 1,5 s and < 10 s the test mode is started. This has the same function as pressing the internal test button. When bridging X1/X2 for < 1,5 s, a stored alarm will be reset. This has the same function as pressing the internal reset button. If X1/X2 is activated for > 10 s, the measuring function is stopped. The measuring function remains suspended for the duration of the control of X1/X2.

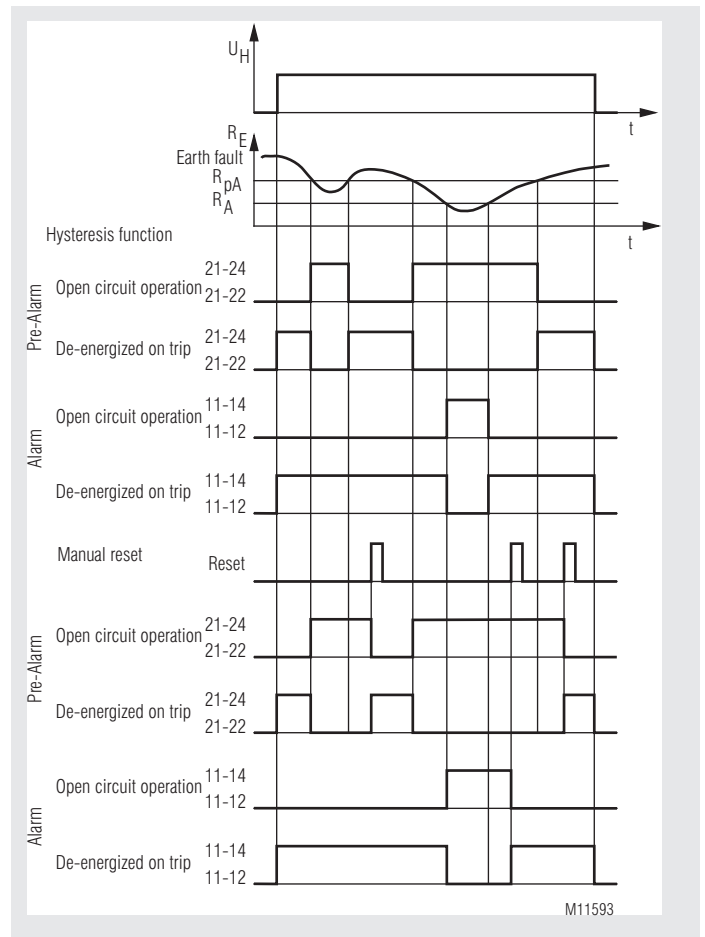
### Programming/setting of parameters/set-up of the insulation monitor

All settings are made via 3 rotational switches on the front of the device. To avoid unauthorised manipulation of the settings, the unit has a sealable transparent cover on the front.

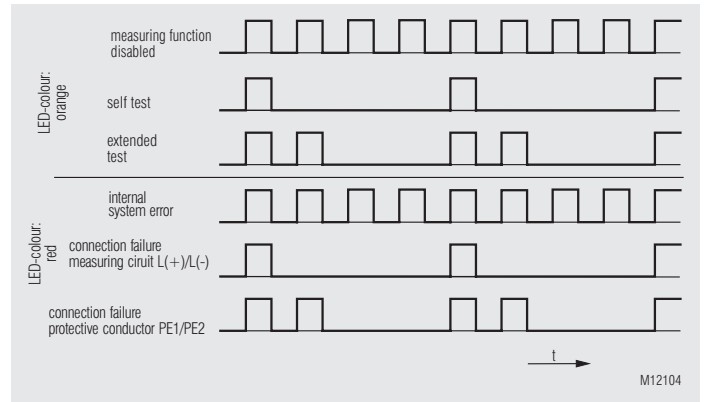
With the first rotational switch "R<sub>A</sub>" the response value for Alarm is selected. In addition the rotational switch has 2 sections. If the rotational switch is in the first section the broken wire detection of the measuring circuit is continuously on. If the rotational switch is in the second section it is continuously off. The second rotational switch "R<sub>pA</sub>" has also 2 sections and selects the pre alarm value as well as the output function. in section 1 the unit is de-energised on trip (n.c.) in section 2 on energised on trip (n.o.).

The third rotational switch selects "UN" selects the voltage system connection and manual or auto reset it has also 2 sections. In section one the unit is on auto reset, in section 2 it is on manual reset. Changes of the setting the unit accepts immediately without restart.

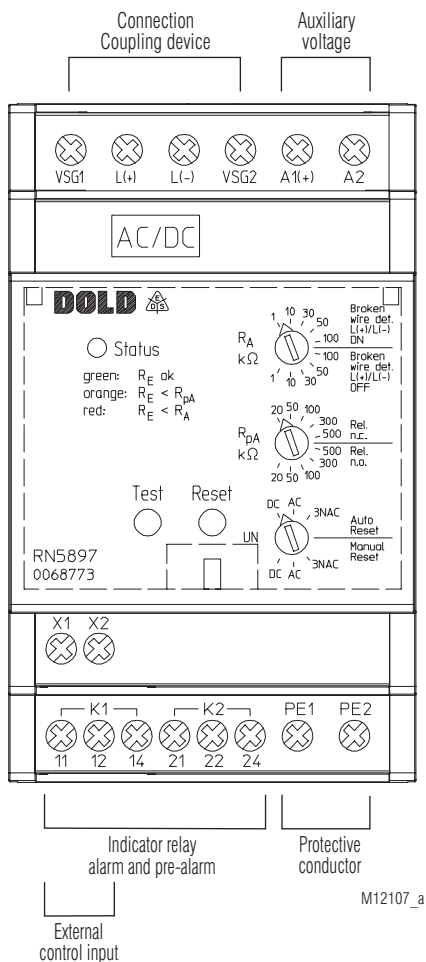
## Function Diagram



## Flashing Codes Status LED



## Indicators



RN 5897/320

## Indicators

The operational status of the device is indicated on a 3-colour LED:

- Off:** No auxiliary voltage connected
- Green:** Normal operation (Insulation resistance in healthy state)
- Red:** Alarm (measured value below alarm response value)
- Orange:** Warning (measured value below pre-alarm response value)
- Orange flashing:** Test mode / Measurement stopped procedure (see flashing code diagramm)
- Red flashing:** Failure code (see flashing code diagramm)

Flash code orange Status-LED	Description
1	Selftest (measuring circuit, measuring voltage, internal tests)
2	Advanced Test (additional control of indicator relays)
continuously flashing	Measuring function stopped

## Error Indication

Flash code red Status-LED	Failure cause	Failure recovery
1	Broken wire detection on L(+)/L(-).	Check measuring circuit L(+) and L (-)
2	Broken wire detection on PE1/PE2.	Check protective earth connections PE1 and PE2
continuously flashing	Internal failure detected in test mode	Press test button again or restart the unit by interrupting the auxiliary supply temporarily. If the fault remains permanent, send device back to manufacturer for examination.
continuously flashing	Faulty calibration values detected in device memory.	Send device back to manufacturer for recalibration and examination.

## Notes



### Risk of electrocution!

**Danger to life or risk of serious injuries.**

- Disconnect the system and device from the power supply and ensure they remain disconnected during electrical installation.
- Determine voltage free status by using appropriate instruments
- The terminals of the control input X1-X2 have no galvanic separation to the measuring circuit L1(+) and L2(-) and are electrically connected together, therefore they have to be controlled by volt free contacts or bridge. These contacts ore bridges must provide a sufficient separation depending on the mains voltage on L1(+)-L2(-).
- Please do not connect external voltage to terminals X1/X2. The control must only be made by bridging X1 and X2.
- The coupling unit RL 5898 or RP 5898 must only be used in conjunction with the RP5897/320 on a voltage system and not just by itself.



### Attention!

- Before checking insulation and voltage, disconnect the monitoring device RN 5897/320 from the power source!
- In one voltage system only one insulation monitor can be used. This has to be observed when interconnecting two separate systems..
- Device terminals PE1 and PE2 must always be connected via separate lines to different terminal points of the protective-conductor system.
- The device must not be operated without PE1/PE2 connection!



### Attention!

- The main measuring circuit can be connected with its terminals L1(+) and L2(-) both to the DC and also AC side of a mixed network; it is done most practically where the primary incoming power supply takes place e.g. with battery networks with connected inverters on the DC side, with Generators/Transformers with connected Rectifiers or inverters on the AC-side. To monitor a 3NAC system the device can be connected single pole, (L(+)) and L(-) are bridged, to the neutral of the 3p4w system. The 3 phases have a low-Ω<sub>ic</sub> (approx. 3 – 5 Ω) connection via the transformer windings so also insulation failures of the not directly connected phases are detected. Via the rotary switch "UN" the correct type of network needs to be selected (see „Connection Examples“).
- If a monitored AC system includes galvanically connected DC circuits (e.g. via a rectifier), an insulation failure on the DC side can only be detected correctly, when a current of min 10 mA can flow via the semi-conductor connections.
- If a monitored DC system includes galvanically connected AC circuits (e.g. via an inverter), an insulation failure on the AC side can only be detected correctly, when a current of min 10 mA can flow via the semi-conductor connections.
- The insulation monitor RN 5897/320 can only be used together with a coupling device.

## Technical Data

Meas. circuit L1(+)/L2(-) to PE1/PE2 (with coupling device RL / RP 5898)

	RL 5898	RP 5898
Nominal voltage $U_N$ :	AC 0 ... 400 V DC 0 ... 500 V	AC 0 ... 690 V DC 0 ... 1000 V
Max. max. voltage range $U_N$ :	AC 0 ... 440 V DC 0 ... 550 V	AC 0 ... 760 V DC 0 ... 1100 V
Frequency range:	DC or 40 ... 1000 Hz	
Max. line capacitance:	5 $\mu$ F	
Internal resistance (AC / DC):	> 240 k $\Omega$	
Measuring voltage:	Approx. $\pm$ 90 V	
Max. measured current ( $R_E = 0$ ):	< 0.40 mA	
Response inaccuracy:	$\pm$ 15 % $\pm$ 1.5 k $\Omega$ IEC 61557-8	
Response value hysteresis:	Approx. + 25 %; min. + 1 k $\Omega$	
On delay	At $C_E = 1 \mu$ F, response value $\leq$ 100 k $\Omega$ , $R_E$ of $\infty$ to 0.5 * response value: $\leq$ 1 s At $C_E = 1 \mu$ F, response value > 100 k $\Omega$ , $R_E$ of $\infty$ to 0.5 * response value: < 2 s	
Measuring time:	At $C_E = 1 \dots 5 \mu$ F < 5 s	
Min. operate time:	> 0.2 s	

### Response values

Pre-warning ( ${}_{pr}R_A$ ):

k $\Omega$ :	20	50	100	300	500
--------------	----	----	-----	-----	-----

Alarm ( ${}_{al}R_A$ ):

k $\Omega$ :	1	10	30	50	100
--------------	---	----	----	----	-----

Each adjustable via rotational switches

### Response value broken

wire detection L1(+)/L2(-): > Approx. 500 k $\Omega$

### Response value broken

wire detection PE1/PE2: > Approx. 0.5 k $\Omega$

### Max. wire length

between insulation monitor and coupling device: < 0.5 m

### Auxiliary voltage input A1(+)/A2

Nom. Voltage	Voltage range	Frequency range
AC/DC 24 ... 60 V	AC 19 ... 68 V	45 ... 400 Hz; DC 48 % W*)
	DC 16 ... 96 V	W*) $\leq$ 5 %
AC/DC 85 ... 230 V	AC 68 ... 276 V	45 ... 400 Hz; DC 48 % W*)
	DC 67 ... 300 V	W*) $\leq$ 5 %
DC 12 ... 24 V	DC 9.6 ... 30 V	W*) $\leq$ 5 %

\*) W = Permitted residual ripple of auxiliary supply

### Nominal consumption:

DC 12 V, 24 V, 48 V: Max. 3 W  
AC 230 V: Max. 3.5 VA

### Control input X1/X2 for external combined Test-/Reset-Taste

Current flow:	Approx. 3 mA
No-load operation voltage	
X1 to X2:	Approx. 12 V
Permissible wire length:	< 50 m
Activat. time t for test signal:	1.5 s < t < 10 s
Activat. time t for reset signal:	t < 1.5 s
Activation time t for stop of the measuring function:	t > 10 s

### Outputs

Indicator contact: 2 x 1 changeover contact for Alarm (K1) and Pre-Alarm (K2) energized or de-energized on trip (programmable)

Thermal current  $I_{th}$ : 4 A

### Switching capacity

To AC 15:

NO contact: 5 A / AC 230 V IEC/EN 60947-5-1

NC contact: 2 A / AC 230 V IEC/EN 60947-5-1

To DC 13: 2 A / DC 24 V IEC/EN 60947-5-1

### Electrical life

At 5 A, AC 230 V: 1 x 10<sup>5</sup> switching cycles

### Short circuit strength

Max. fuse rating: 4 A gG / gL IEC/EN 60947-5-1

Mechanical life: 50 x 10<sup>6</sup> switching cycles

## Technical Data

### General Data

Operating mode:	Continuous operation	
Temperature range		
Operation:	- 40 ... + 70 °C	
Storage:	- 40 ... + 70 °C	
Altitude:	$\leq$ 2000 m	IEC 60664-1
Clearance and creepage distances		
Rated insulation voltage:	300 V	
Overvoltage category:	III	
Rated impuls voltage / pollution degree:		IEC 60664-1
Measuring circuit L(+)/L(-) to auxiliary voltage A1(+)/A2 and indicator relay contacts K1, K2:	4 kV / 2	
Auxiliary voltage A1(+)/A2 to indicator relay contacts K1, K2:	4 kV / 2	
Indicator relay contact K1 to indicator relay contacts K2:	4 kV / 2	
Insulation test voltage		
Routine test:	AC 2.5 kV; 1 s	
EMC		
Electrostatic discharge (ESD):	8 kV (air)	IEC/EN 61000-4-2
HF irradiation:		
80 MHz ... 1 GHz:	20 V / m	IEC/EN 61000-4-3
1 GHz ... 2.7 GHz:	10 V / m	IEC/EN 61000-4-3
Fast transients:	2 kV	IEC/EN 61000-4-4
Surge voltage		
Between		
wires for power supply:	1 kV	IEC/EN 61000-4-5
Between wire and ground:	2 kV	IEC/EN 61000-4-5
HF-wire guided:	20 V	IEC/EN 61000-4-6
Interference suppression:	Limit value classe B	EN 55011
Degree of protection		
Housing:	IP 40	IEC/EN 60529
Terminals:	IP 20	IEC/EN 60529
Housing:	Thermoplastic with V0 behaviour according to UL subject 94	
Vibration resistance:	Amplitude 0.35 mm, Frequency 10 ... 55 Hz, IEC/EN 60068-2-6 frequency 2 ... 13.2 Hz, 13.2 ... 100 Hz, acceleration $\pm$ 0.7 gn IEC/EN 60068-2-6 10 gn / 11 ms, 3 pulses IEC/EN 60068-2-27 40 / 070 / 04 IEC/EN 60068-1 EN 50005	
Shock resistance:		
Climate resistance:		
Terminal designation:		
Wire connection	DIN 46228-1/-2/-3/-4	
Cross section:	0.5 ... 4 mm <sup>2</sup> (AWG 20 - 10) solid or 0.5 ... 4 mm <sup>2</sup> (AWG 20 - 10) stranded wire without ferrules 0.5 ... 2.5 mm <sup>2</sup> (AWG 20 - 10) stranded wire with ferrules	
Stripping length:	6.5 mm	
Wire fixing:	Cross-head screw / M3 box terminals	
Fixing torque:	0.5 Nm	
Mounting:	DIN rail	IEC/EN 60715
Weight:	Approx. 205 g	

### Dimensions

Width x height x depth: 52.2 x 90 x 71 mm

### Classification to DIN EN 50155

Vibration and shock resistance:	Category 1, Class B	IEC/EN 61373
Ambient temperature:	OT1, OT2 compliant	
Protective coating of the PCB:	No	

## UL-Data

Meas. circuit L1(+)/L2(-) to PE1/PE2 (with coupling device RL / RP 5898)

	RL 5898	RP 5898
Max. voltage range $U_N$ :	AC 0 ... 400 V DC 0 ... 500 V	AC 0 ... 600 V DC 0 ... 600 V

Output voltage at L(+)/L(-), VSG1/VSG2: Max. AC / DC 230 V

Temperature range Operation: - 30 ... + 60 °C

Switching capacity: Pilot duty C300, R300  
5A 250Vac  
2A 30Vdc

Wire connection: 60 °C / 75 °C copper conductors only  
Torque 0.5 Nm

Test specification: ANSI/UL 60947-1, 5<sup>th</sup> Edition  
ANSI/UL 60947-5-1, 3<sup>rd</sup> Edition  
CAN/CSA-C22.2 No. 60947-1-13, 2<sup>nd</sup> Edition  
CAN/CSA-C22.2 No. 60947-5-1-14, 1<sup>st</sup> Edition



Technical data that is not stated in the UL-Data, can be found in the technical data section.

## CCC-Data

Switching capacity

To AC 15  
NO contact: 3 A / AC 230 V  
NC contact: 1 A / AC 230 V



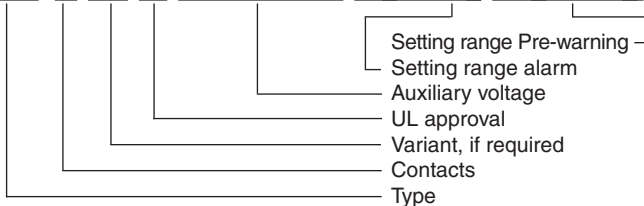
Technical data that is not stated in the CCC-Data, can be found in the technical data section.

## Standard Types

RN 5897.12/320/61	DC 12 ... 24 V
Article number:	0068260
• Auxiliary voltage:	DC 12 ... 24 V
RN 5897.12/320/61	AC/DC 24 ... 60 V
Article number:	0068258
• Auxiliary voltage:	AC/DC 24 ... 60 V
RN 5897.12/320/61	AC/DC 85 ... 230 V
Article number:	0068259
• Auxiliary voltage:	AC/DC 85 ... 230 V
• Outputs:	1 changeover contact for pre-warning 1 changeover contact for alarm
• Setting range pre-warning:	20 kΩ ... 500 kΩ
• Setting range alarm:	1 kΩ ... 100 kΩ
• With connection facility of a coupling device RL 5898 or RP 5898	
• Max. line capacitance:	5 μF
• Energized or de-energized on trip	
• Selection of type of network	
• Width:	52.5 mm

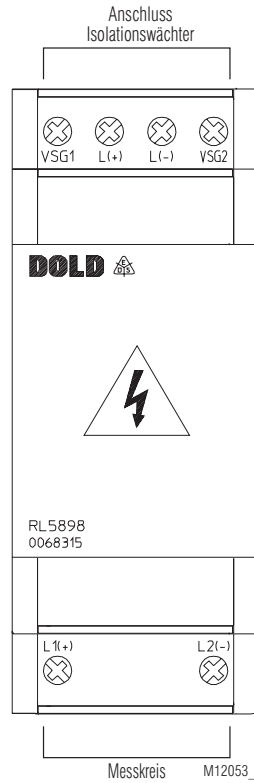
## Ordering Example for variants

RN 5897 .12 /020 /61 AC/DC 24 ... 60 V 1 kΩ - 100 kΩ 20 kΩ - 500 MΩ

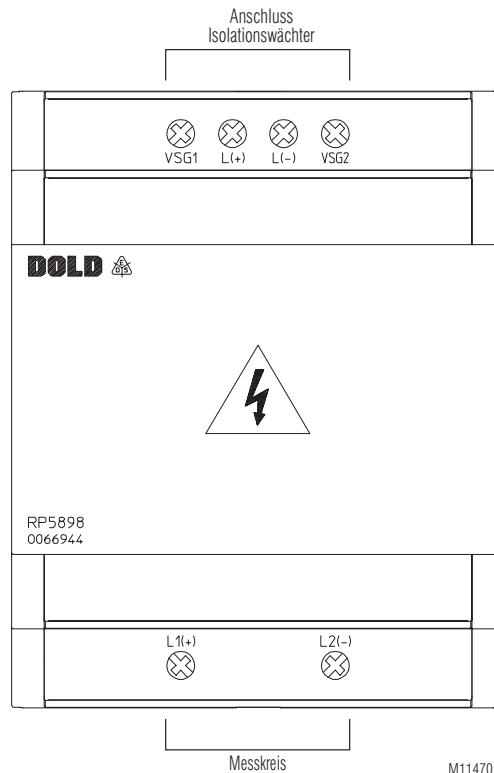


## Accessories

RL 5898/61  
Article number: 0068315  
• Coupling device for RN 5897.12/320  
• Extension of nominal voltage range  $U_N$  to DC 500 V, AC 400 V  
• Weight: Approx. 60 g  
• Dimensions  
- Width x height x depth: 35 x 90 x 71 mm

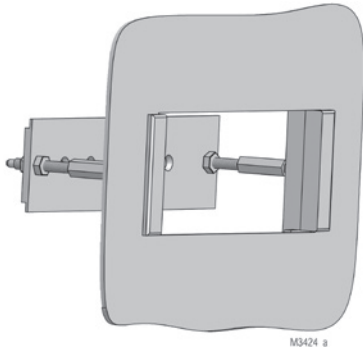


RP 5898/61  
Article number: 0066944  
• Coupling device for RN 5897.12/320  
• Extension of nominal voltage range  $U_N$  to DC 1000 V, AC 690 V  
• Weight: Approx. 110 g  
• Dimensions  
- Width x height x depth: 70 x 90 x 71 mm



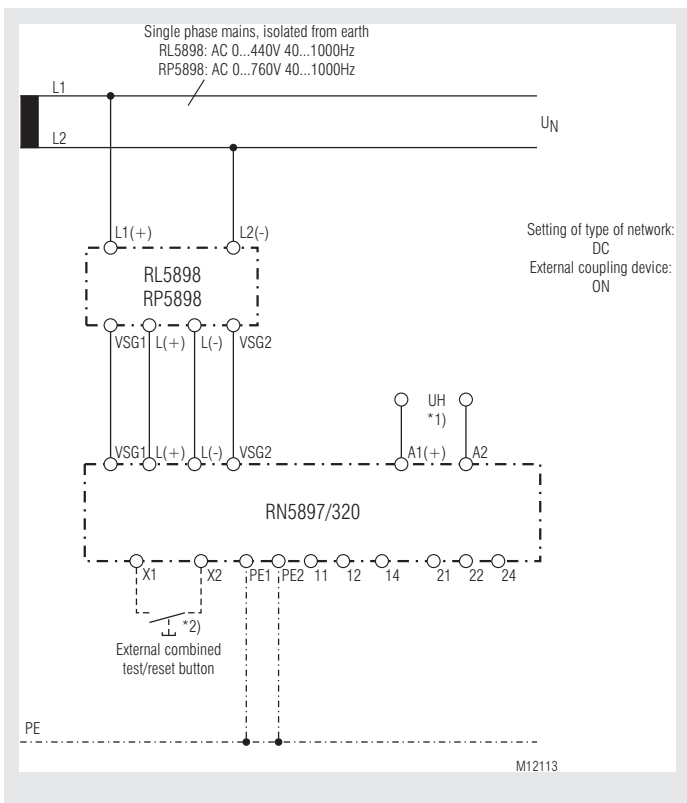
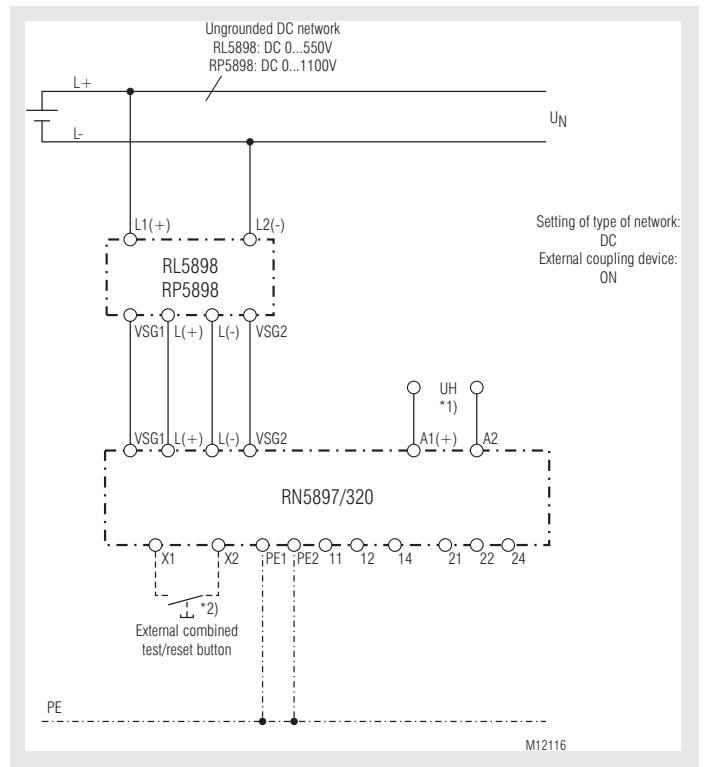
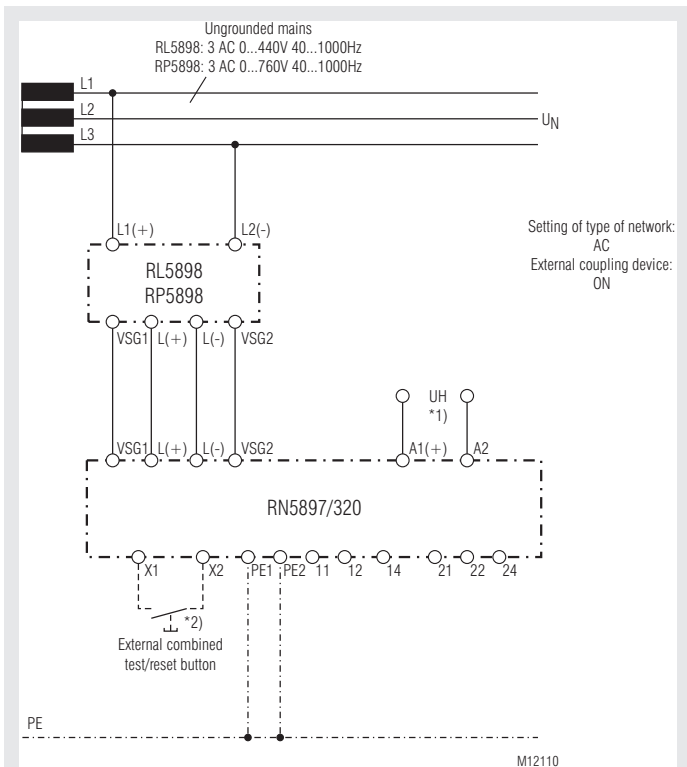
**Flush mounting kit**

Order reference: KU 4087-150/0056598



- For universal use with:
- R-series devices of 17.5 to 105 mm width
  - Easy mounting

## Connection Examples



\*1) Auxiliary voltage  $U_H$  (A1(+)/A2) can also be sourced from the monitored voltage system. The voltage range of the auxiliary supply has to be taken into account.

\*2) Control input X1/X2 for external combined Test-/Reset-button with Stop of the measuring function:

- Control 1.5 s < t < 10 s: Test function
- Control < 1.5 s: Reset function
- Control > 10 s: Stop of measuring function