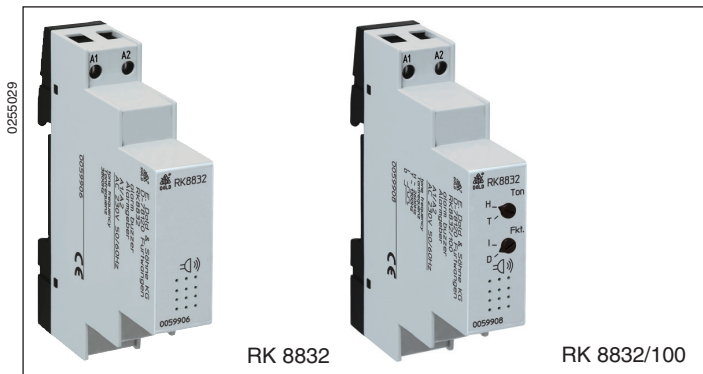


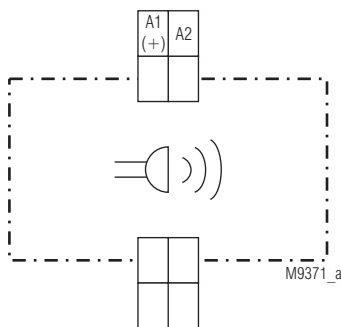
## Buzzer RK 8832

Translation  
of the original instructions



- Permanent sound, pitch fixed
- Optionally with switchable interval- / permanent sound and 2 pitches settable
- Width: 17.5 mm and depth: 64 mm

### Circuit Diagram



RK 8832, RK 8832/100

### Connection Terminals

Terminal designation	Signal description
A1(+)	+ / L
A2	- / N

### Approvals and Markings



### Applications

- Audible alarm
- Alarm buzzer in 1- or 2-family houses

### Technical Data

#### Input

<b>Nominal voltage <math>U_N</math>:</b>	AC/DC 24V AC 230 V
<b>Voltage range:</b>	0.8 ... 1.1 $U_N$
<b>Frequency range:</b>	45 ... 65 Hz

#### Output

#### Signal frequency

RK 8832:	3,8 kHz fixed
RK 8832/100:	1,3 / 2,6 kHz adjustable

#### Volume

#### (2 m distance):

RK 8832:	3.8 kHz	approx. 70 dB (A)
RK 8832/100:	1.3 kHz	approx. 60 dB (A)
	2.6 kHz	approx. 70 dB (A)

### General Data

**Nominal operating mode:** Continuous operation

#### Temperature range:

Operation:	
RK 8832, SK8832:	- 20 ... + 60 °C
RK 8832/100:	- 20 ... + 50 °C

#### Altitude:

< 2000 m

#### Clearance and creepage distance

rated impulse voltage /  
pollution degree: 4 kV / 2 IEC 60664-1

#### EMC

Electrostatic discharge (ESD):	8 kV / 2 (air)	IEC/EN 61000-4-2
HF irradiation:	10 V/m	IEC/EN 61000-4-3
Fast transients: surge voltage between	2 kV	IEC/EN 61000-4-4
wires for power supply:	1 kV	IEC/EN 61000-4-5
between wire and ground:	2 kV	IEC/EN 61000-4-5
HF wire guided:	10 V	IEC/EN 61000-4-6
interference suppression:	Limit value class B	EN 55011

## Technical Data

### Degree of protection:

Housing: IP 40 IEC/EN 60529  
Terminals: IP 20 IEC/EN 60529

**Enclosure:** thermoplastic with VO behaviour  
according UL Subject 94

**Vibration resistance:** Amplitude 0.35 mm  
Frequenz 10 ... 55 Hz, IEC/EN 60068-2-6

20 / 060 / 04 IEC/EN 60068-1

**Climate resistance:** EN 50005

### Terminal designation:

**Wire connection:** 1 x 2.5 mm<sup>2</sup> solid or  
max. 1 x 2.5 mm<sup>2</sup> stranded wire with sleeve  
DIN 46228-1/-2/-3/-4

**Wire fixing:** Box terminal with wire protection

**Mounting:** DIN-rail IEC/EN 60715

**Fixing torque:** 0.5 Nm

### Weight

RK 8832: 40 g

RK 8832/100: 44 g

## Dimensions

**Width x height x depth:** 17.5 x 90 x 71 mm

## Standard Type

RK 8832 AC 230 V

Article number: 0059906

- Permanent sound, pitch fixed
- Nominal voltage  $U_N$ : AC 230 V
- Width: 17.5 mm

## Variant

RK 8832/100: Interval- / permanent sound adjustable  
2 pitches settable

### Order reference for variant

RK 8832 / \_ \_ \_ AC 230V

