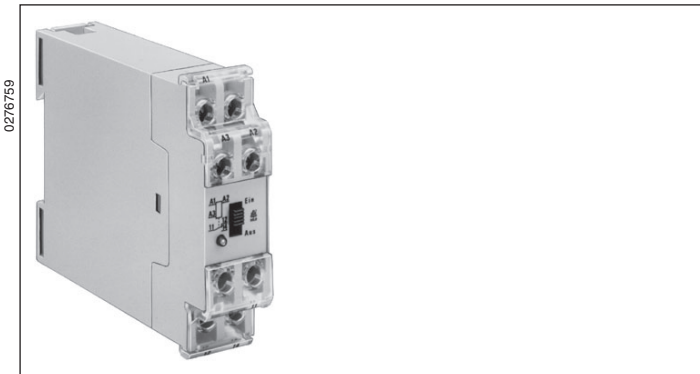


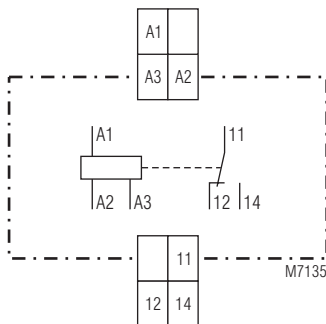
Interface relay Input - Output ML 3045

Translation
of the original instructions



- According to IEC/EN 60255, IEC/EN 61810-1
- With 1 changeover contact
- For 2 control voltages
- Output relay can be switched off via switch for test purposes
- With LED indicator
- Optionally safe separation according to IEC/EN 61140, IEC/EN 60 947-1 and for switching low loads
- Width: 22,5 mm

Circuit Diagrams



ML 3045.11/100 ML 3045.11
A1/A2: AC/DC 24 V A1/A2: AC 220 ... 240 V
A3/A2: AC 220 ... 240 V A3/A2: AC/DC 24 V

Approvals and Markings



Applications

- Link between control and power levels
- For separating potentials

Indicators

LED: On, when the relay is active

Technical Data

Input

Nominal voltage U_N : AC/DC 24 V + AC 220 ... 240 V
Voltage range: AC 0.8 ... 1.1 U_N
Nominal consumption: AC 24 V / 0.5 VA
 AC 230 V / 7 VA
 DC 24 V / 0.5 W
Nominal frequency: 50 / 60 Hz
Frequency range: $\pm 5 \%$

Output

Contacts
ML 3045.11: 1 changeover contact
Operating time: < 15 ms
Release time: < 20 ms
Thermal current I_{th} : 5 A
Switching capacity
To AC 15
NO contact: 3 A / AC 230 V IEC/EN 60947-5-1
NC contact: 1 A / AC 230 V IEC/EN 60947-5-1
Electrical life
To AC 15 at 3 A, AC 230 V: 5 x 10⁵ switch. cycl. IEC/EN 60947-5-1
Permissible switching frequency: 6 000 switching cycles / h
Short circuit strength
max. fuse rating: 6 A gG / gL IEC/EN 60947-5-1
Mechanical life: > 30 x 10⁶ switching cycles

Technical Data

General Data

Operating mode:	Continuous operation	
Temperature range:	- 20 ... + 60 °C	
Clearance and creepage distances		
Rated impuls voltage / pollution degree:	4 kV / 2	IEC 60664-1
EMC		
Electrostatic discharge:	8 kV (air)	IEC/EN 61000-4-2
HF-irradiation:	10 V/m	IEC/EN 61000-4-3
Fast transients:	4 kV	IEC/EN 61000-4-4
Surge voltages between		
Wires for power supply:	1 kV	IEC/EN 61000-4-5
Between wire and ground:	4 kV	IEC/EN 61000-4-5
Interference suppression:	Limit value class B	EN 55011
Degree of protection		
Housing:	IP 40	IEC/EN 60529
Terminals:	IP 20	IEC/EN 60529
Housing:	Thermoplast with V0-behaviour according to UL subject 94	
Vibration resistance:	Amplitude 0.35 mm frequency: 10 ... 55 Hz IEC/EN 60068-2-6	
Climate resistance:	20 / 060 / 04 IEC/EN 60068-1	
Terminal designation:	EN 50005	
Wire connection:	2 x 2.5 mm ² solid or 2 x 1.5 mm ² stranded wire with sleeve DIN 46228-1/-2/-3/-4	
Wire fixing:	Flat terminals with self-lifting clamping piece IEC/EN 60999-1	
Mounting:	DIN rail IEC/EN 60715	
Weight:	110 g	

Dimensions

Width x height x depth: 22.5 x 81 x 98.5 mm

Standard Type

ML 3045.11/100	AC/DC 24 V + AC 220 ... 240 V	50/60 Hz
Article number:	0034641	stock item
• Output:	1 changeover contact	
• Nominal voltage U_N :	AC/DC 24 V + AC 220 ... 240 V	
• Safe separation according to VDE 0106 part 101		
• For switching of low loads with 0.1 ... 60 V, 1 mA ... 300 mA		
• Width:	22.5 mm	

Variant

ML 3045.11: without gold plated contacts,
without safe separation

Ordering example for variants

ML 3045 .11 / _ _ _ AC/DC 24 V + AC 220 ... 240 V 50 / 60 Hz

