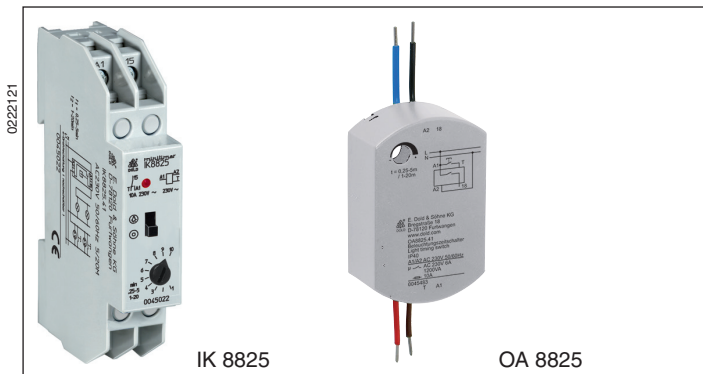


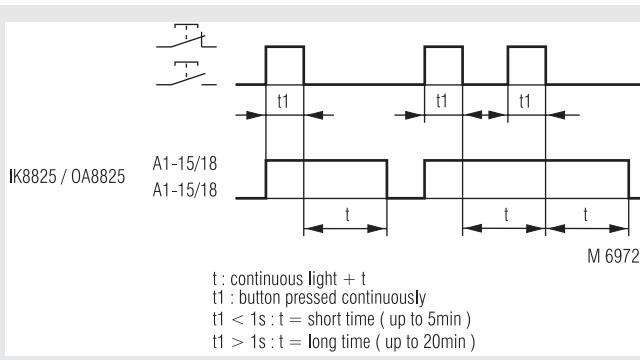
MINITIMER Lighting Time Switch IK 8825 / OA 8825

Translation
of the original instructions



- According to EN 60669-1, EN 60669-2-1
- With 2 delay times
 - 0.3 ... 5 min. if the pushbutton is pressed briefly (< 1 s)
 - 1.2 ... 20 min. if the pushbutton is pressed for a long time (> 1 s)
 - i.e. the delay time is four times as long
- Operating time adjustment with a screwdriver
- Reswitching possible
- IK 8825 with permanent light switch
- Permanent light as long as the pushbutton is pressed
- IK 8825 for installation on a top hat rail
- OA 8825 for installation in flush-mounted boxes
- Width IK 8825 17.5 mm

Function Diagram



Approvals and Markings



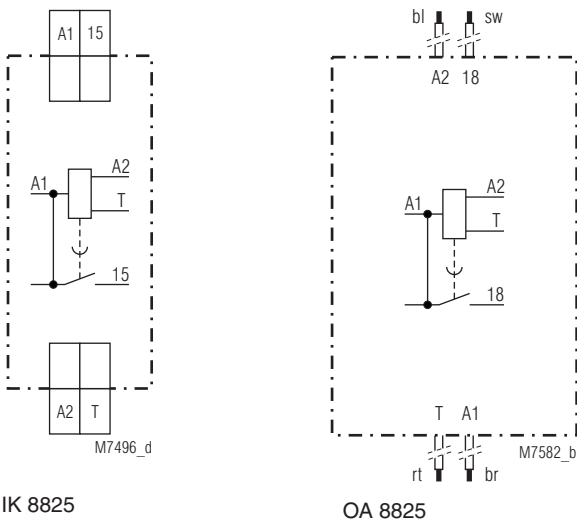
Applications

- Automatic staircase light switch with time extension as required
- To be used in carparks. To load or unload cars the lighting time can be extended.

Indicators

IK 8825:
LED: On, when the output relay is activated

Circuit Diagrams



Notes

The unit and the pushbutton must be connected to the same phase. The choice of long or short operating mode is determined by the length of time that the pushbutton is pressed when it is actuated the last time.

Connection Terminals

Terminal designation	Signal description
A1	L
A2	N
T	Control input for buttons
15, 18	Contact-output delayed

Technical Data	
Time circuit	
Time ranges:	
Short time:	0.3 ... 5 min
Long time:	1.2 ... 20 min
Repeat accuracy:	± 2% of the full scale value
Nominal voltage U_N:	AC 230 V
Voltage range:	0.8 ... 1.1 U _N
Nominal consumption:	
Apparent power	
IK 8825:	5 VA
OA 8825:	3 VA
Actual power:	0.3 W
Nominal frequency:	50 / 60 Hz
Glow lamps parallel to the pushbutton:	
IK 8825:	40 mA
OA 8825:	10 mA

Output

Contacts

IK 8825.41, OA 8825.41: 1 NO contact, delayed

Switching capacity with lamp load

Fluorescent lamp load

Duo switching

IK 8825: 20 lamps with 65 W
5 x 10⁴ switching cycles

OA 8825: 6 lamps with 65 W

5 x 10⁴ switching cycles

Glow lamp load:

IK 8825: 1200 W

OA 8825: 600 W

Short circuit strength max. fuse rating

IK 8825: 10 A gG /gL IEC/EN 60947-5-1

OA 8825: 4 A A gG /gL IEC/EN 60947-5-1

Mechanical life:

> 1 x 10⁶ switching cycles

General Data

Operating mode:

Continuous operation

Temperature range

Operation: - 20 ... + 45 °C

Storage: - 20 ... + 60 °C

Altitude:

< 2000 m

Clearance and creepage distances

Rated impulse voltage/
pollution degree: 4 kV / 2 IEC 60664-1

EMC

Electrostatic discharge: 8 kV (air) IEC/EN 61000-4-2

HF irradiation: 10 V / m IEC/EN 61000-4-3

Fast transients: 2 kV IEC/EN 61000-4-4

Surge voltages

between

wires for power supply: 2 kV IEC/EN 61000-4-5

between wire and ground: 4 kV IEC/EN 61000-4-5

Interference suppression: Limit value class B EN 55011

Degree of protection

Housing: IP 40 IEC/EN 60529

Terminals: IP 20 IEC/EN 60529

Housing:

Thermoplastic with V0 behaviour according to UL subject 94

Vibration resistance:

Amplitude 0.35 mm;
frequency 10 ... 55 Hz IEC/EN 60068-2-6

Climate resistance: 20 / 045 / 04 IEC/EN 60068-1

Technical Data	
Terminal designation:	EN 50005
Wire connection IK 8815	DIN 46228-1/-2/-3/-4
Cross section:	2 x 0,6 ... 2,5 mm ² solid or 2 x 0,28 ... 1,5 mm ² stranded wire with and without ferrules
Stripping length:	10 mm
Wire fixing:	Plus-Minus-terminal screws M3,5 with self-lifting clamping piece IEC/EN 60999-1
Fixing torque:	0.8 Nm
Mounting:	
IK 8825:	DIN rail IEC/EN 60715
Weight	
IK 8825:	70 g
OA 8825:	31 g

Dimensions

Width x height x depth

IK 8825: 17.5 x 90 x 58 mm

OA 8825: 35 x 55 x 18 mm

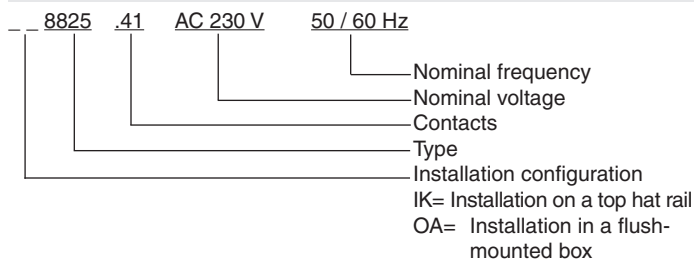
Standard Type

IK 8825.41 AC 230 V 50 / 60 Hz 5 ... 20 min

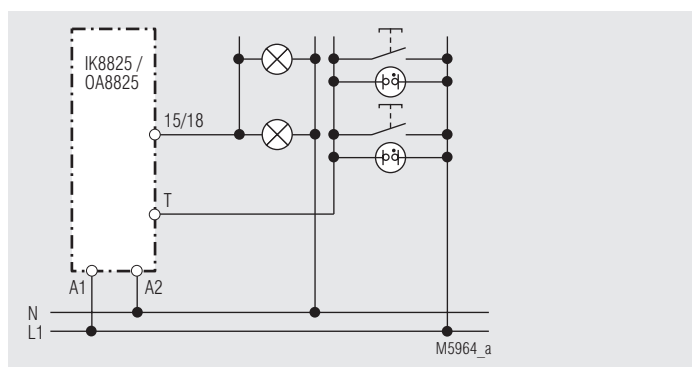
Article number: 0045022

- Output: 1 NO contact ,delayed
- Nominal voltage U_N: AC 230 V
- Time range: 5 ... 20 min
- Width: 17.5 mm

Ordering Example



Connection Example



IK 8825 / OA 8825

4-wire circuit (reswitching possible)