

Ex-proof Electrical Power Connectors



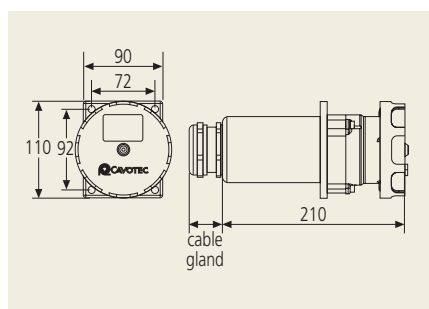
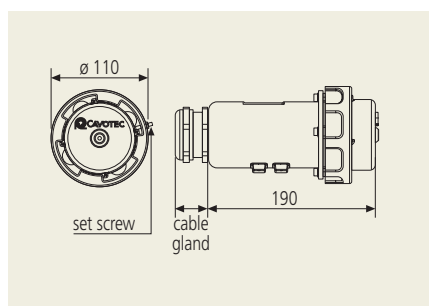
Manufactured by **Cavotec Connectors**



Size X2 Ex Power Connector <660A, 690V Bayonet system

Cavotec Connectors is well known for manufacturing customised high quality electrical connectors for harsh environments.

Cavotec Connector products are known for their innovative design features, such as a system of pins that use lamellar technology to optimize the contact surface and enable a light and compact design. Cable terminals screwed to the pins enable a quick replacement of pins without dismantling the connector.



PC2-EX 690V

The PC2-Ex 690V series is rated Ex d, IIB, T3 and is available in single, 4 or 18 pin configuration (max. 690V and 300mm² cable). The plug is fixed to the socket with a bayonet type screw ring, which is secured by a bolt. The housing is marine-grade aluminium with pins in silver plated brass. Ingress protection is IP67 when connected,

or with mounted covers. ATEX approval by NEMKO. Options include additional keying, an extra M16 cable gland (for pilot circuit/power monitoring) and wall mounting plates. Plug and socket covers are standard.

Plug/Inverted Plug, straight bayonet fit

Type Size	No pins P&E+pil	Max voltage Phase/pilot	Max Current Amp	Weight Kg	Cross sect. mm ²	Plug: Male pins Product code	Inv. plug: Female pins Product code			
2	1+2	690/230	125	2,3	25	PC2-EX-SB01-0250XXYY	PC2-EX-TB01-0250XXYY			
			160		35	PC2-EX-SB01-0350XXYY	PC2-EX-TB01-0350XXYY			
			200		50	PC2-EX-SB01-0500XXYY	PC2-EX-TB01-0500XXYY			
			250		70	PC2-EX-SB01-0700XXYY	PC2-EX-TB01-0700XXYY			
			300		95	PC2-EX-SB01-0950XXYY	PC2-EX-TB01-0950XXYY			
			350		120	PC2-EX-SB01-1200XXYY	PC2-EX-TB01-1200XXYY			
			420		150	PC2-EX-SB01-1500XXYY	PC2-EX-TB01-1500XXYY			
2	4+2	690/230	480	2,2	185	PC2-EX-SB01-1850XXYY	PC2-EX-TB01-1850XXYY			
			540		240	PC2-EX-SB01-2400XXYY	PC2-EX-TB01-2400XXYY			
			660		300	PC2-EX-SB01-3000XXYY	PC2-EX-TB01-3000XXYY			
			2		18	500	20	1,5	PC2-EX-SB18-0015XXYY	PC2-EX-TB18-0015XXYY
			30				2,5		PC2-EX-SB18-0025XXYY	PC2-EX-TB18-0025XXYY
40	4	PC2-EX-SB18-0040XXYY	PC2-EX-TB18-0040XXYY							

Socket/Connector/Inverted Socket/Connector bayonet fit

Type Size	No pins P&E+pil	Max voltage Phase/pilot	Max Current Amp	Weight Kg	Cross sect. mm ²	Plug: Male pins Product code	Inv. plug: Female pins Product code			
2	1+2	690/230	125	2,5	25	PC2-EX-VB01-0250XXYY	PC2-EX-TB01-0250XXYY			
			160		35	PC2-EX-VB01-0350XXYY	PC2-EX-TB01-0350XXYY			
			200		50	PC2-EX-VB01-0500XXYY	PC2-EX-TB01-0500XXYY			
			250		70	PC2-EX-VB01-0700XXYY	PC2-EX-TB01-0700XXYY			
			300		95	PC2-EX-VB01-0950XXYY	PC2-EX-TB01-0950XXYY			
			350		120	PC2-EX-VB01-1200XXYY	PC2-EX-TB01-1200XXYY			
			420		150	PC2-EX-VB01-1500XXYY	PC2-EX-TB01-1500XXYY			
2	4+2	690/230	480	2,5	185	PC2-EX-VB01-1850XXYY	PC2-EX-TB01-1850XXYY			
			540		240	PC2-EX-VB01-2400XXYY	PC2-EX-TB01-2400XXYY			
			660		300	PC2-EX-VB01-3000XXYY	PC2-EX-TB01-3000XXYY			
			2		18	500	20	1,5	PC2-EX-VB18-0015XXYY	PC2-EX-TB18-0015XXYY
			30				2,5		PC2-EX-VB18-0025XXYY	PC2-EX-TB18-0025XXYY
40	4	PC2-EX-VB18-0040XXYY	PC2-EX-TB18-0040XXYY							

zz in product code stands for key position
xx in product code stands for cable gland size

Optional accessories

M16 Ex cable gland for pilot circuit on socket
PCX-92120-130 Spanner tool for screw ring
PCX-49X60-002 Wall mounting bracket Connector

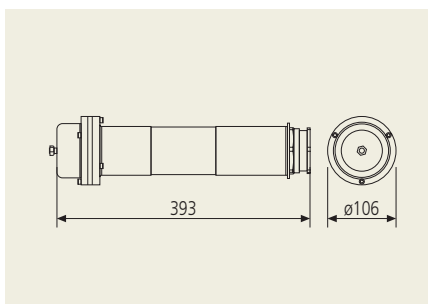
Size F2 Ex Power Connector < 540A, 7200V Bolted system

PC2-EX 7200V

The PC2-Ex 7200V series is rated Ex d, IIC, T6 and is available in single pin configuration (max. 7200V and 240mm² cable). The housing is stainless steel with pins in silver plated copper and insulators in Teflon. The plug is fixed to the socket by three bolt. The unit is filled with re-entrable insulation gel. Ingress protection is IP67 when connected, or with mounted covers. ATEX approval by NEMKO.

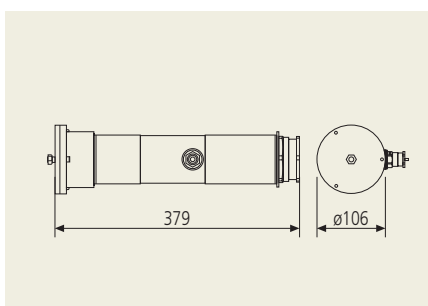
Options include additional keying, an extra M20 cable gland (for capacity monitoring), earthed covers for connector and socket and wall mounting plates.

Plug, bolted fit



Type Size	No pins P&E+pil	Max voltage Phase	Max Current Amp	Weight Kg	Cross section mm ²	Plug: Male pins Product code
2	1	7200	125	4,8	25	PC2-EX-SB01-K0250XXYY
			160		35	PC2-EX-SB01-K0350XXYY
			200		50	PC2-EX-SB01-K0500XXYY
			250		70	PC2-EX-SB01-K0700XXYY
			300		95	PC2-EX-SB01-K0950XXYY
			350		120	PC2-EX-SB01-K1200XXYY
			420		150	PC2-EX-SB01-K1500XXYY
			480		185	PC2-EX-SB01-K1850XXYY
			540		240	PC2-EX-SB01-K2400XXYY

Socket/Connector bolted fit



Type Size	No pins P&E+pil	Max voltage Phase	Max Current Amp	Weight Kg	Cross section mm ²	Plug: Male pins Product code
2	1	7200	125	4,6	25	PC2-EX-VB01-K0250XXYY
			160		35	PC2-EX-VB01-K0350XXYY
			200		50	PC2-EX-VB01-K0500XXYY
			250		70	PC2-EX-VB01-K0700XXYY
			300		95	PC2-EX-VB01-K0950XXYY
			350		120	PC2-EX-VB01-K1200XXYY
			420		150	PC2-EX-VB01-K1500XXYY
			480		185	PC2-EX-VB01-K1850XXYY
			540		240	PC2-EX-VB01-K2400XXYY

zz in product code stands for key position
xx in product code stands for cable gland size

Optional accessories

- M20 Ex cable gland
- PCX-01602-002E Earthed plug cover
- PCX-02602-002E Earthed socket cover
- PCX-89212-010 Termination kit 25-95mm²
- PCX-89212-020 Termination kit 25-95mm²
- PCX-89502-351 Raychem Guroflex insulation gel



Head Office

Cavotec MSL Holdings Ltd.

Cavotec MSL is listed on the **NZX**

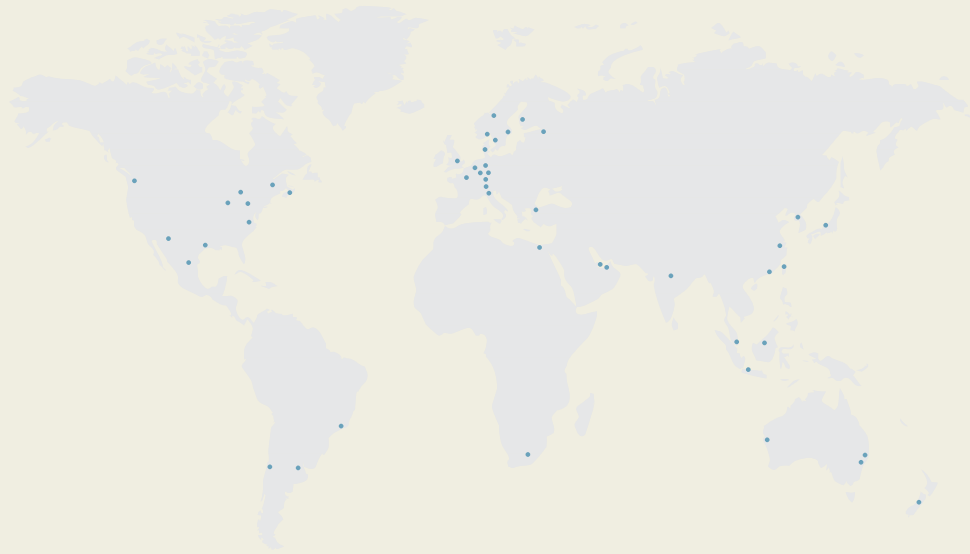
Corporate Office

Cavotec (Swiss) SA

Via Serafino Balestra 27
CH-6900 Lugano, Switzerland

We are present in

Abu Dahbi	Korea
Argentina	Luxemburg
Australia	Malaysia
Belgium	Mexico
Brazil	The Netherlands
Canada	New Zealand
Chile	Norway
China	Russia
Denmark	Saudi Arabia
Egypt	Singapore
Finland	South Africa
France	Sweden
Germany	Switzerland
Hong Kong	Taiwan
India	Turkey
Indonesia	Qatar
Ireland	U.A.E.
Italy	U.K.
Japan	U.S.A.



For more information please visit our website www.cavotec.com
or contact us directly at info@cavotec.com